

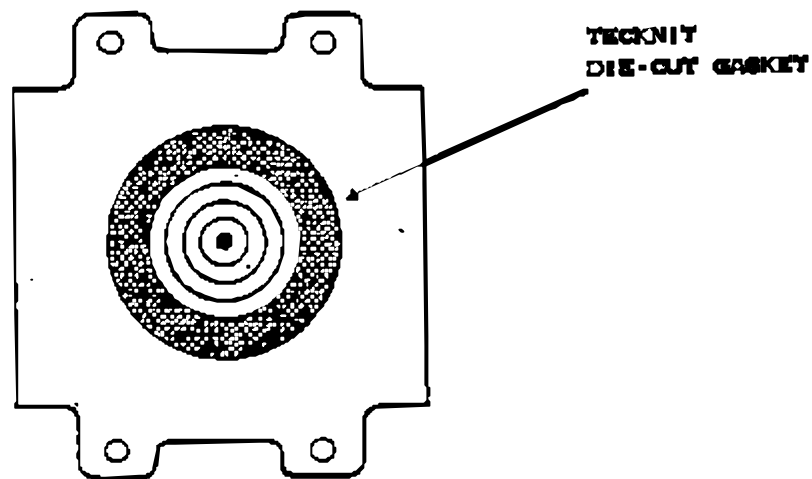
## EMI SHIELDING

CASE HISTORY REFERENCE

PAS-38

### Problem:

A LEADING MANUFACTURER OF MICROWAVE OVENS REQUIRED AN EFFECTIVE MEANS OF SHIELDING RF EMISSIONS GENERATED BY A MAGNETRON TUBE.



### Solution:

A CUSTOM, DIE-CUT TECKNIT GASKET IN THE SHAPE OF A WASHER IS PLACED AT THE BASE OF THE MAGNETRON TUBE IN EACH OVEN MANUFACTURED. FOUR VARIOUSLY SIZED RF GASKETS ARE NOW BEING SUPPLIED TO THIS MICROWAVE OVEN MANUFACTURER BY TECKNIT, AND THE COMBINED ESTIMATED USAGE OF THESE FOUR GASKETS IS EXPECTED TO BE IN EXCESS OF 500,000 PIECES,